



LEFROY BROOKS

1 8 2 8 T R O U T M A N S T R E E T
R I D G E W O O D N E W Y O R K N Y 1 1 3 8 5 U S A
T : + 1 (7 1 8) 3 0 2 5 2 9 2 F : + 1 (7 1 8) 3 0 2 4 1 7 7

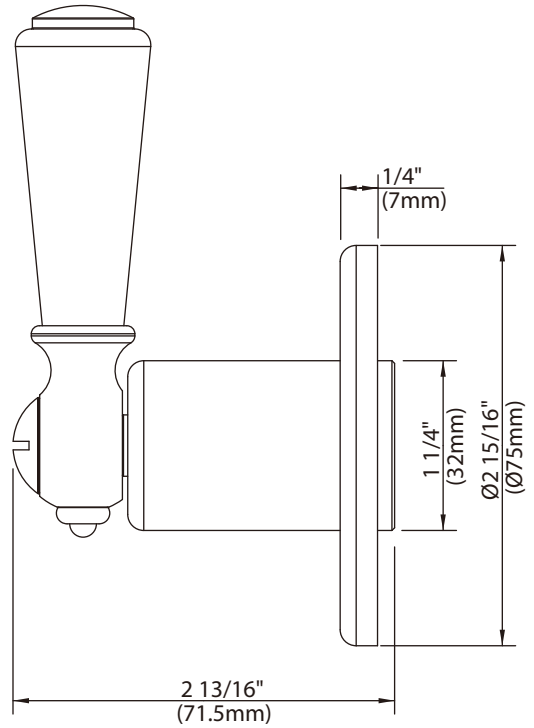
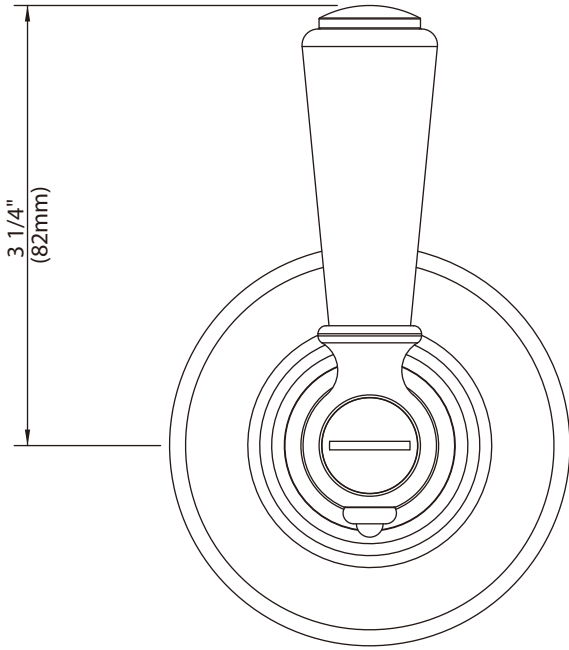
CB-1015

BLACK LEVER WALL FLOW CONTROL TRIM ONLY - NO INSCRIPTION,
TO SUIT R1-4002 ROUGH

DIMENSIONAL DATA SHEET

DATE: 16 APRIL 2014

No: A66F593



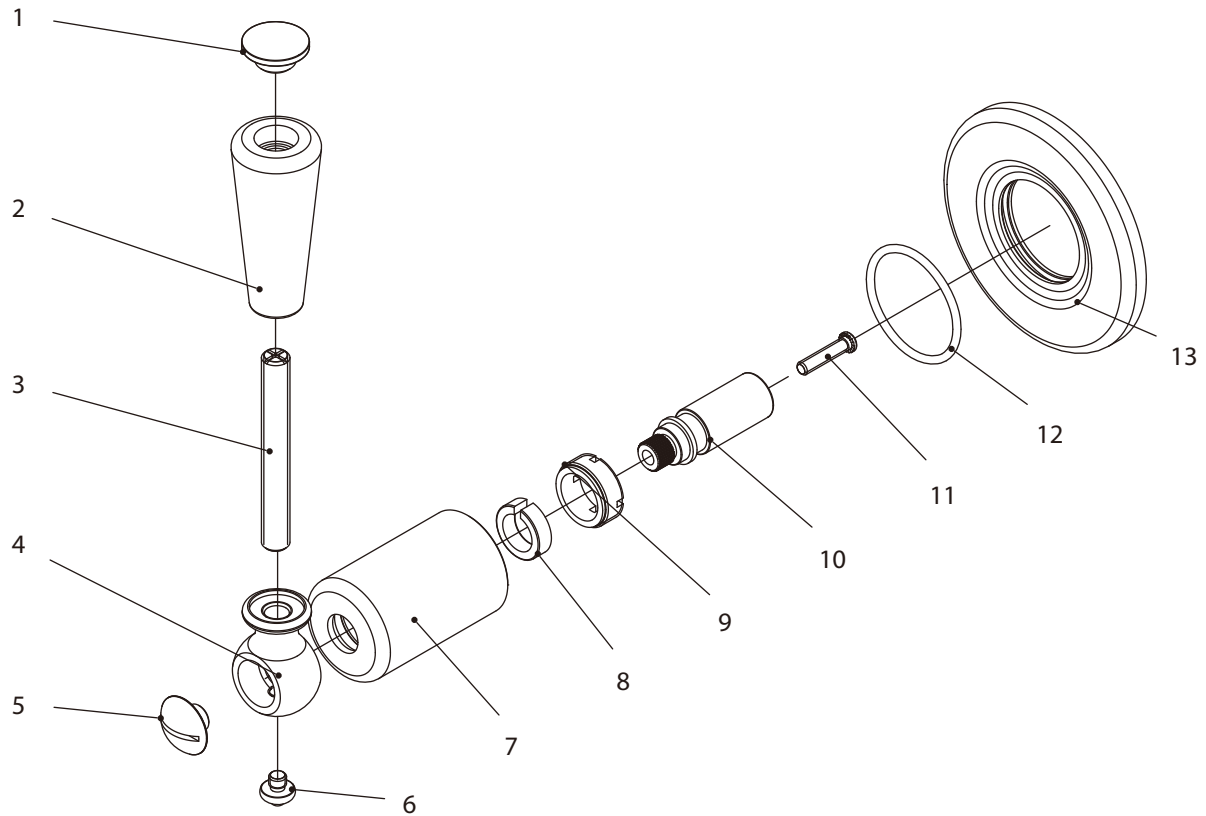
COPYRIGHT © LBIF LTD 2012. ALL RIGHTS RESERVED.

DIMENSIONS IN INCHES & MILLIMETRES

WHILST EVERY EFFORT IS MADE TO ENSURE THE ACCURACY OF THESE DATA SHEETS THEY ARE SUBJECT TO CHANGE WITHOUT NOTICE AS PART OF THE COMPANY'S PRODUCT DEVELOPMENT PROCESS

CB-1010

BLACK LEVER WALL FLOW CONTROL TRIM ONLY - NO INSCRIPTION, TO SUIT R1-4002 ROUGH



- 1 Handle-end cap (109376)
- 2 Handle sleeve (108924)
- 3 Handle stem (017094)
- 4 Handle head (205002)
- 5 Screw head (008291)

- 6 Handle adaptor (109377)
- 7 Canopy (018331)
- 8 Clip (012242)
- 9 Adaptor (057507)
- 10 Adaptor (039706)

- 11 Screw (008486)
- 12 O-ring (004044)
- 13 Escutcheon (071279)

Standards

IAPMO/cUPC Listed
Meets A112.18.1

Please note :
Final achievable flow rate is dependent on the outlets fitted, see relevant outlets (spouts, roses, sprays) for fully assembled product flow rate.